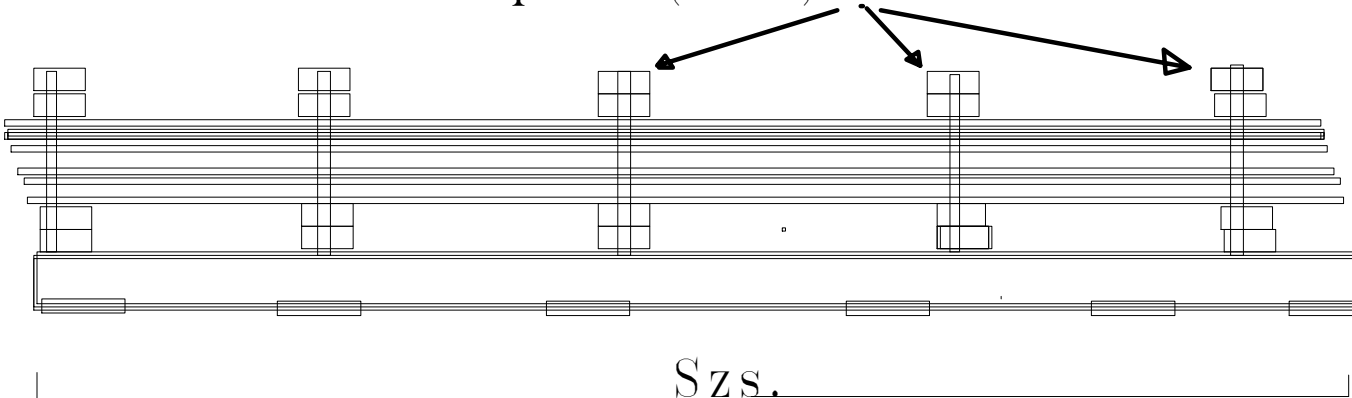


*Eco-Tech Packaging Specification # ETFLATPK3*

- pieces per pallet as ordered/refer to work order
- wooden or plastic pallet parts ok
- eight (8) bands per pallet
- pallet is to be no more than:  
( 6" Longer than product ordered/refer to work order )

## 2pc - (2x4) SPACERS



- these pallets are banded every 10 pieces  
cardboard must cover all four sides of each band
- each group of ten(10) must have 6 bands @ 53',  
5 bands @ 48', and 4 bands @ less than 48'.  
FOUR (4) 2 x 4 spacers BANDED TO EVERY OTHER  
BAND, TWO ON THE TOP AND TWO ON THE BOTTOM

-DO NOT PUT MORE THAN 3 BUNDLES ACROSS

-all boards must meet:

Eco-Tech GS.1 Specification

- Bands broken durring loading MUST be replaced
- Staple pallet tag to top of pallet

-----  
Customer

-----  
Eco-Tech